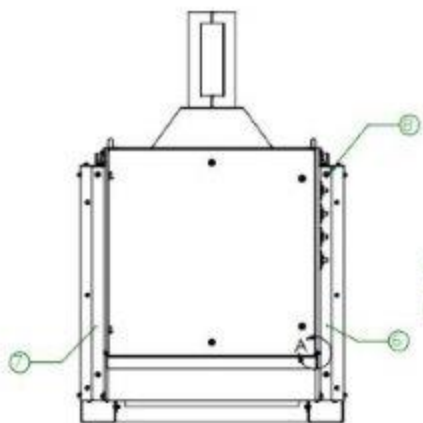
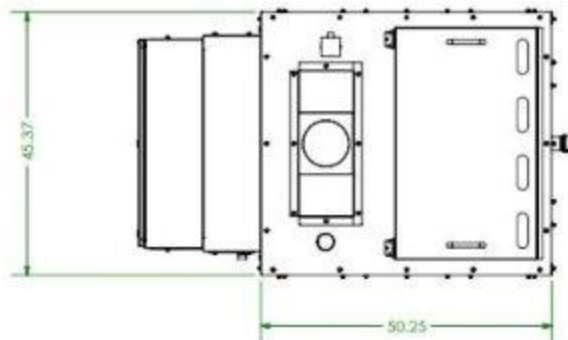
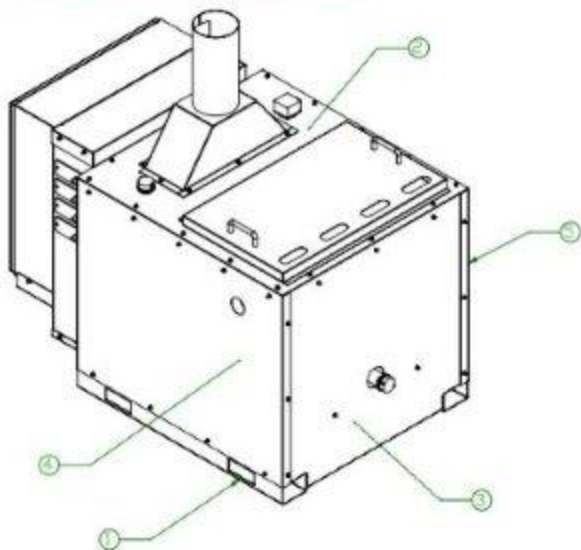
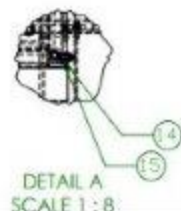
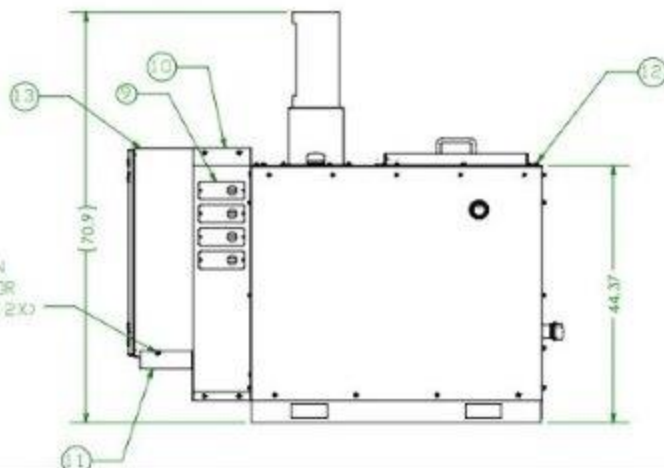


DR-16-DRAFT INDUCTION



DRILL HOLES IN
CONTROL BOX FOR
1/4-20 BOLTS (2X)



ITEM NO.	PART NUMBER	DESCRIPTION	QTY.
1	DR-16-100	BASE ASSY.	1
2	DR-16-400	TOP ASSEMBLY	1
3	DR-16-701	SKIN, DRAIN END	1
4	DR-16-703	SKIN, LONG, WITH DRAIN	1
5	DR-16-704	SKIN, LONG, NO DRAIN	1
6	DR-16-706	CONTROL BOX MOUNT	1
7	DR-16-707	CONTROL BOX MOUNT	1
8	.375 ASSY HWRE	3/8 ASSEMBLY HARDWARE	8
9	CONTROL PANEL	BURNER CONTROLLER	4
10	DR-16-708	BOX MOUNT TOP COVER	1
11	DR-16-709	BOX MOUNT BOTTOM COVER	1
12	Attachment Hardware .25	1/4-20 SOCKET HEAD SCREW, LOCK WASHER, FLAT WASHER	61
13	SCE-36EL3610LP	CONTROL BOX 36" X 36"	1
14	92141A029	18-8 FLAT WASHER 1/4	2
15	90762A112	McMASTER-CARR S.S. 1/4-20 HEX NUT	2
16	92196A148	18-8 Stainless Steel Socket Head Screw	8